

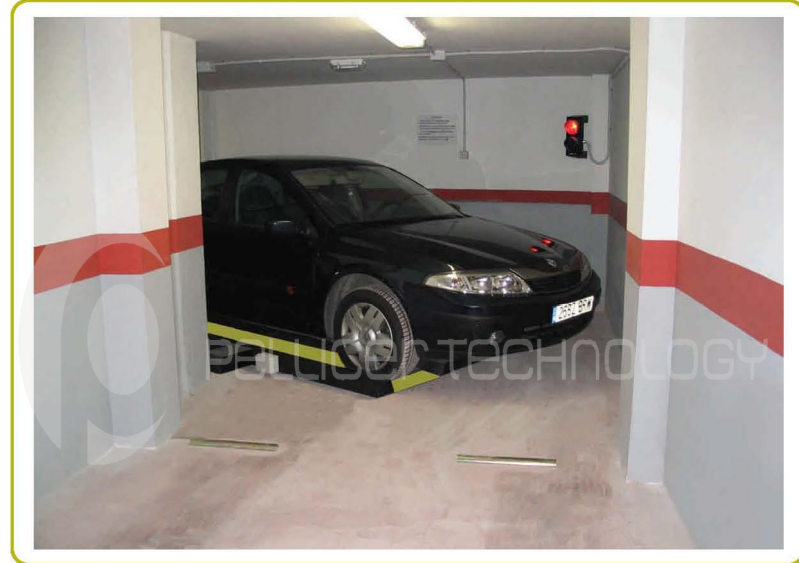
ANGULAR DISPLACEMENT PLATFORM MODEL PGD

SITUATION : EXIT-ENTRY TO CAR LIFTING PLATFORM



- Indicated for those reduced spaces where **the handling is extremely complex**, and in which the installation of a rotating platform is impossible.
- **No civil works requested**
- **No maintenance program requested**
- **Serial remote control**

SITUATION : EXTREMELY SHARP TURN

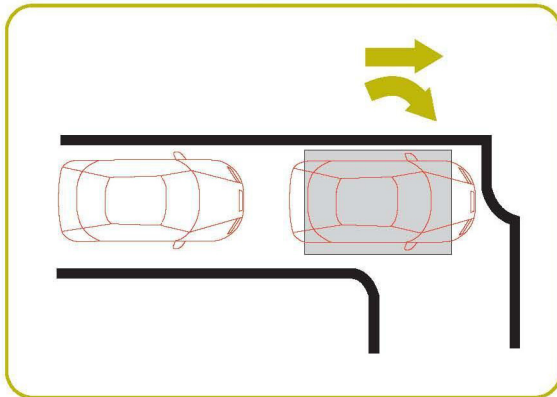


- The standard option with remote control is **very easy to use**.
- Some examples to justify its installation are: entry and exit of car lifting, sharp bends and curves and, definitively, for extremely difficult parking access.
- **Anti-Crushing patented System « Safe Person »**

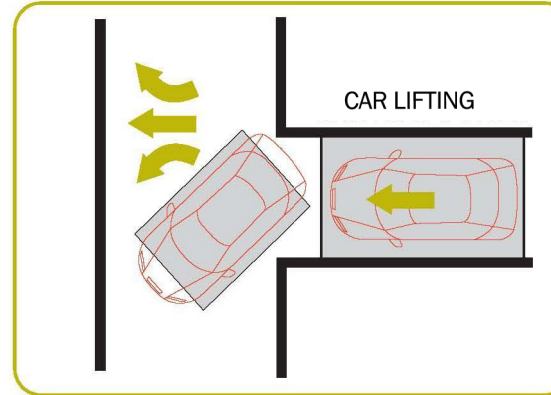
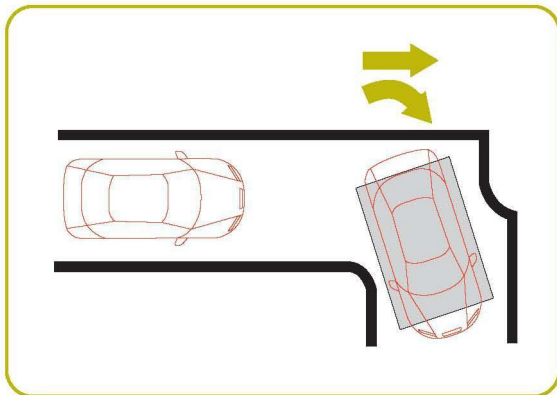
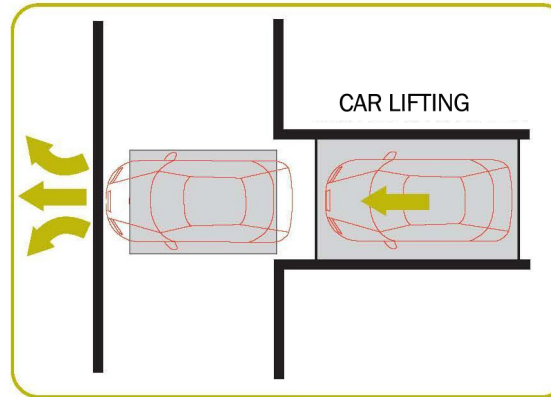
ANGULAR DISPLACEMENT PLATFORM MODEL PGD

THE IMPOSSIBLE TURN

SITUATION : TOO SHARP TURNS



SITUATION : EXIT-ENTRY TO CAR LIFTING PLATFORM



TECHNICAL DATA (*)

DIMENSIONS :
 3300 x 2170 x 110 mm
HEIGHT FROM FLOOR
 20 m
CHARGE CAPACITY
 2500 kg
MOTOR
 0,25 kw
STRUCTURE
 Structural ST-52 Tube
FOOTING FLOOR
 Striated steel sheet
ROTATION
 with life-lubricated flanged bearings
DISPLACEMENT
 Bidirectional
TRANSMISSION
 By friction with dragging limiter
ELECTRIC MANEUVERING PANEL
REMOTE CONTROL INCLUDED
ANTI CRUSHING PATENTED SYSTEM
 "SAFE PERSON"

(*) Pellicer Technology, S.L. reserves the right and entitlement to change any of the features of data described herein without previous notice.